

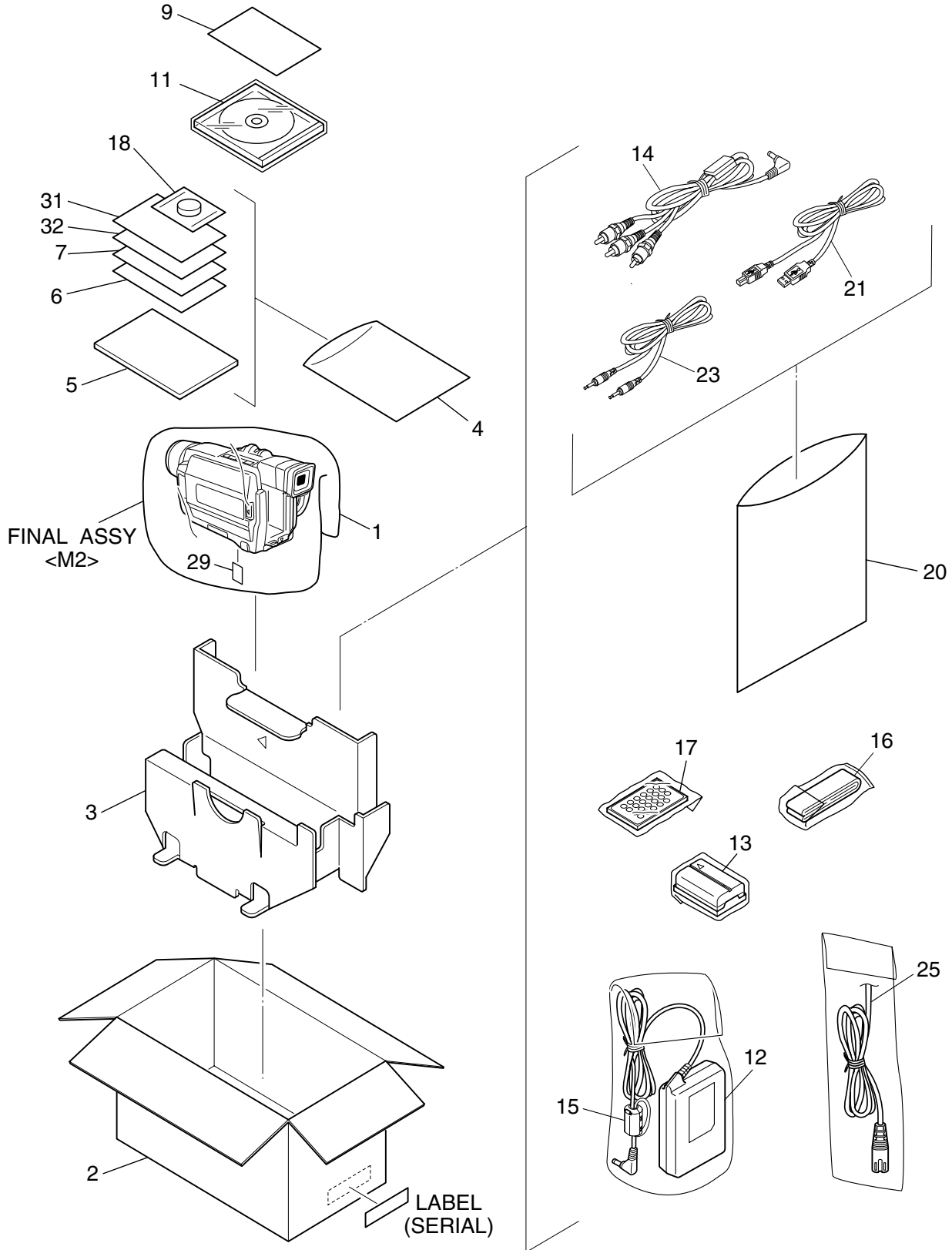
# SECTION 5 PARTS LIST

## SAFETY PRECAUTION

Parts identified by the  symbol are critical for safety. Replace only with specified part numbers.

### 5.1 PACKING AND ACCESSORY ASSEMBLY <M1>

The instruction manual to be provided with this product will differ according to the destination.



# △ REF No. PART No. PART NAME, DESCRIPTION

\*\*\*\*\*

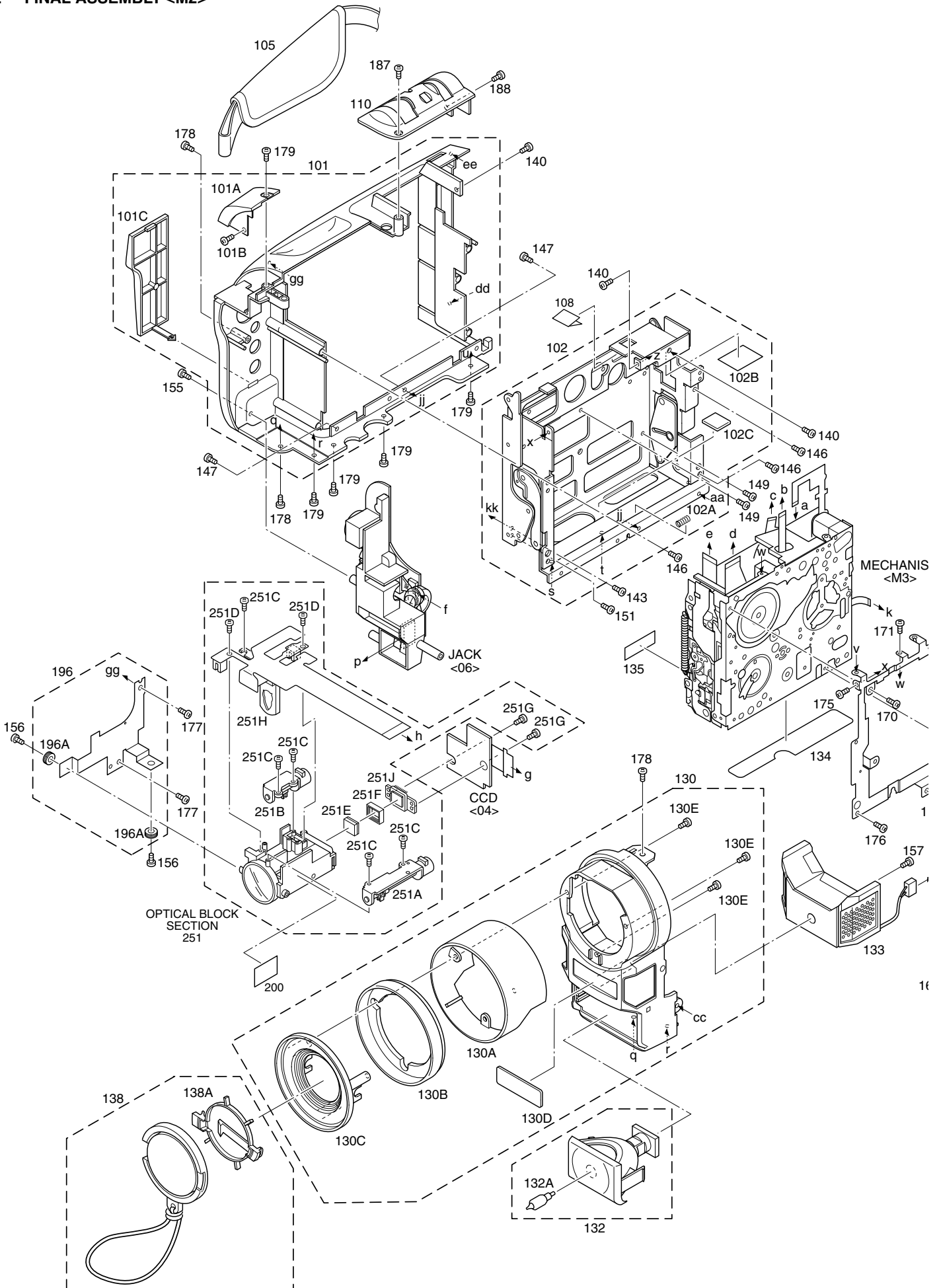
**PACKING AND ACCESSORY ASSEMBLY <M1>**

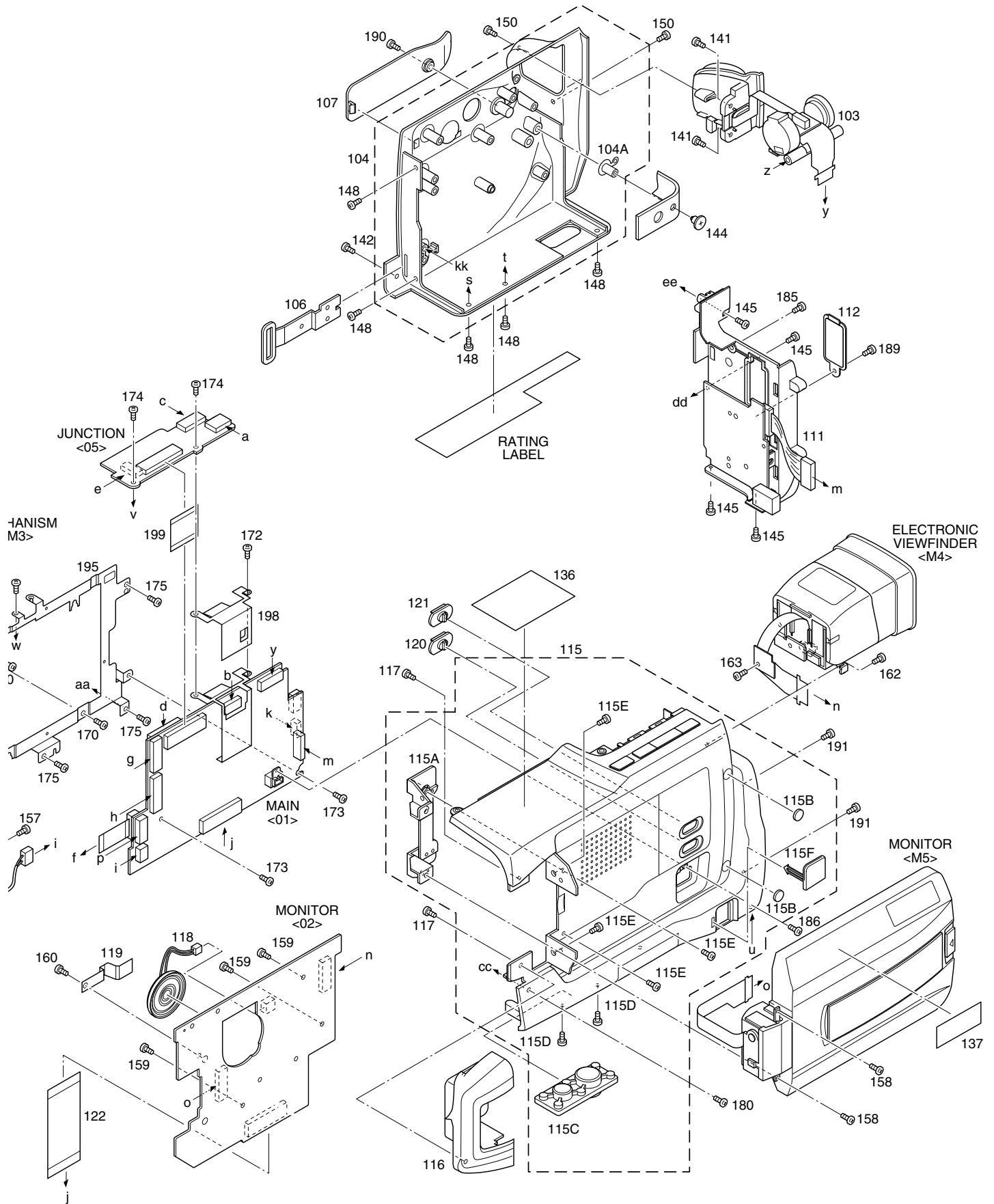
- 1 LY30023-008A POLY BAG
- 2 LY32095-028A PACKING CASE,A
- LY32095-029A PACKING CASE,B
- LY32095-030A PACKING CASE,C
- 3 LY32345-001A CUSHION
- 4 QPA02003006 POLY BAG
- △ 5 LYT0854-001A INST.BOOK(CH)
- △ 6 LYT0852-001A INST.BOOK(SOFT.CH)
- 7 LYT0378-003A SHEET(AGREMENT)
- 9 BT-59007-2 WARRANTY CARD
- 11 LY32210-003B CD ROM
- △ 12 LY20688-015A AC ADAPTER,AP-V10ED
- △ 13 LY31587-001A BATTERY PACK,BN-V408U
- 14 QAM0212-001 CABLE ASSY,AUDIO/VIDEO CABLE
- 15 QQR0490-002 CORE FILTER
- 16 LY20186-001A SHOULDER STRAP
- 17 YQ20922R REMOTE CONTROL UNIT,RM-V711U
- 18 PECA0903 LT BATTERY
- 20 QPA01703005 POLY BAG
- 21 QAM0324-001 USB CABLE
- 23 PEAC0428-150 CABLE ASSY,EDITING CABLE
- △ 25 QMPS120-190-JR POWER CORD
- 29 QAM0262-002 MEMORY CARD
- 31 LP40235-001A SHEET(APPROVAL)
- 32 BT-59009-1 S.CENTER LIST

• **INSTRUCTIONS**  
CH ..... CHINESE

MODEL	MARK
GR-DVL516ED	A
GR-DVL716ED	B
GR-DVL916ED	C

5.2 FINAL ASSEMBLY <M2>





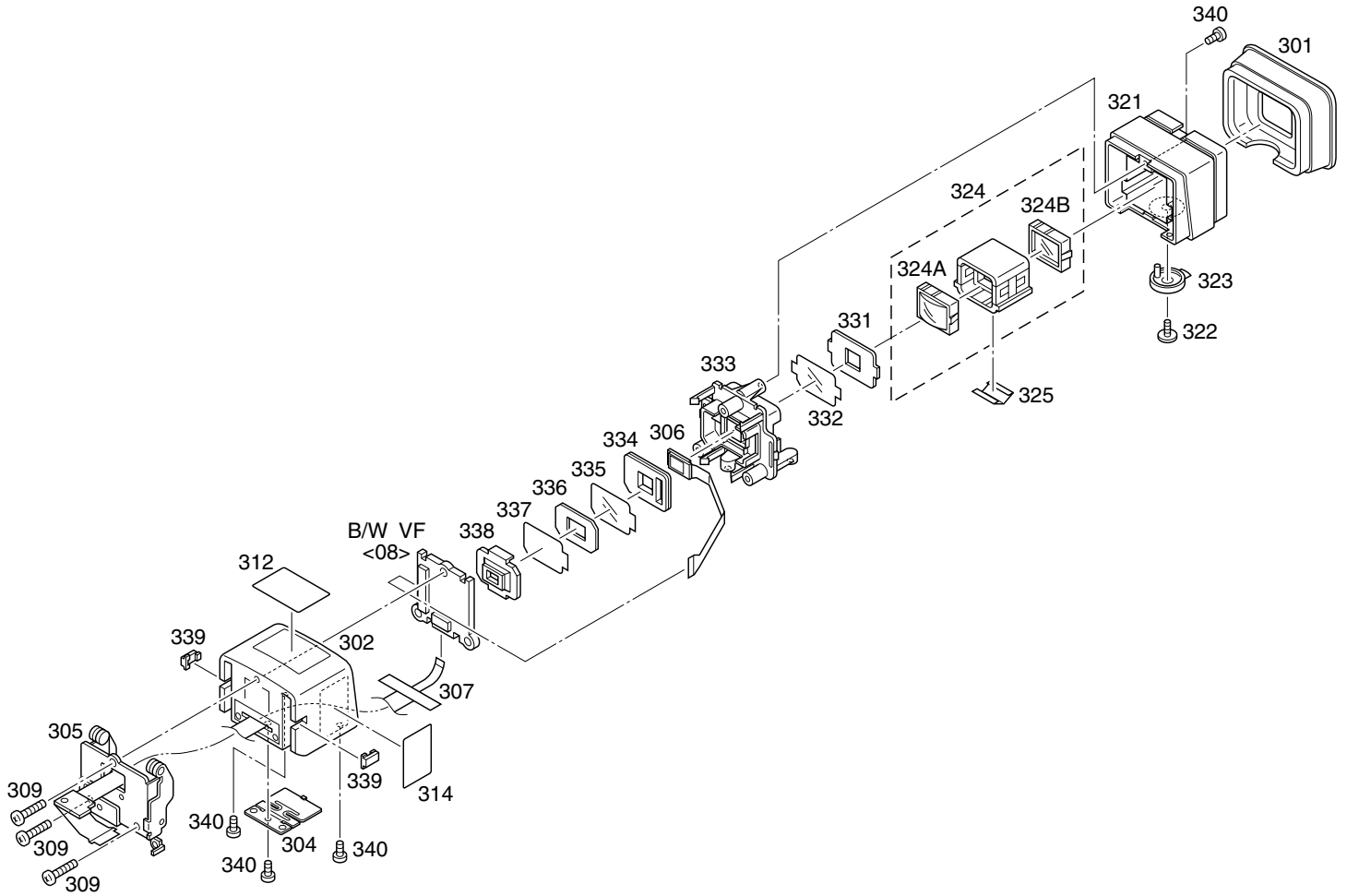
#	△ REF No.	PART No.	PART NAME, DESCRIPTION
*****			
<b>FINAL ASSEMBLY &lt;M2&gt;</b>			
		101	LY20706-002C LOWER CASE ASSY,B,C LY20706-003C LOWER CASE ASSY,A
		101A	LY32098-001A WINDOW(IR)
		101B	LY30018-063A SPECIAL SCREW
		101C	LY32099-001C COVER(JACK)
		102	LY20697-001D ARM ASSY
		102A	LY30001-023A TENSION SPRING
		102B	LY30029-0C7A SPACER(A)
		102C	LY30029-0E9A SPACER(A)
		103	LY20693-001A ZOOM UNIT
		104	LY20704-001B CASSETTE COVER ASSY
		104A	LY40592-001A CAP(GRIP BELT)
		105	LY20575-004B GRIP BELT
		106	LY42891-001A HOOK(GRIP)
		107	LY32092-038A COVER(AJUST),A LY32092-039A COVER(AJUST),B LY32092-040A COVER(AJUST),C
		108	LY30029-0D8A SPACER(A)
		110	LY32093-001B COVER(ZOOM)ASSY
		111	LY20725-001A REAR UNIT
		112	LY41691-001A COVER(JIG)
		115	LY20707-010B UPPER CASE(2.5)ASSY LY20717-008B UPPER CASE3/3.5ASSY,B,C
		115A	LY32101-001A BRACKET
		115B	LY40664-001A SPACER,X2
		115C	LY31019-001A BASE
		115D	LY30018-084A SPECIAL SCREW,X2
		115E	LY30018-0A8A SPECIAL SCREW,X4
		115F	LY42866-001A CAP(DC JACK)
		116	LY32106-001A COVER(HINGE)
		117	LY30018-084A SPECIAL SCREW,X2
		118	QAS0048-001 SPEAKER
		119	LY42167-001A PLATE(SPK)
		120	LY42919-001A KNOB(SLIDE)
		121	LY42919-002A KNOB(SLIDE)
		122	QUQ105-5007AA FFC WIRE,MAIN CN101-MONI CN761
△		130	LY20711-006B FRONT COVER ASSY
		130A	LY32111-005B HOOD
		130B	LY32112-001A RING
		130C	LY32113-001A HOOD(SCREW)
		130D	LY42953-001A MARK
		130E	LY30018-052A SPECIAL SCREW,X3
		132	LY31617-002A DC LIGHT ASSY
		132A	YQ44266 LAMP
		133	LY32114-001A MICROPHONE
		134	LY40698-002A LABEL(HOUSING)
		135	LY40699-002A LABEL(PUSH)
		136	LY43093-001A STICKER(TOP)
		137	LY43094-003A STICKER(SIDE)
		138	LY42182-002A CAP(HOOD)ASSY
		138A	LY31627-001A SPRING
		140	LY30018-084A SPECIAL SCREW,X3
		141	LY30018-096A SPECIAL SCREW,X2
		142	LY30018-038A SPECIAL SCREW
		143	LY30018-084A SPECIAL SCREW
		144	LY30018-0D1A SPECIAL SCREW
		145	LY30018-084A SPECIAL SCREW,X4
		146	LY30018-084A SPECIAL SCREW,X3
		147	LY30018-038A SPECIAL SCREW,X2

#	△ REF No.	PART No.	PART NAME, DESCRIPTION
		148	LY30018-038A SPECIAL SCREW,X5
		149	LY30018-084A SPECIAL SCREW,X2
		150	LY30018-084A SPECIAL SCREW,X2
		151	LY30018-023A SPECIAL SCREW
		155	LY30018-084A SPECIAL SCREW
		156	LY30019-029B SPECIAL SCREW,X2
		157	LY30018-023A SPECIAL SCREW
		158	LY30018-0D6A SPECIAL SCREW,X2
		159	LY30018-023A SPECIAL SCREW,X3
		160	LY30018-047A SPECIAL SCREW
		162	LY30018-063A SPECIAL SCREW
		163	LY30018-064A SPECIAL SCREW
		170	LY30019-026A SPECIAL SCREW,X2
		171	YQ43893-4 MINI SCREW
		172	YQ43893-4 MINI SCREW
		173	LY30019-033A SPECIAL SCREW,X2
		174	QYSPSPT1730Z SCREW,X2
		175	LY30018-066A SPECIAL SCREW,X4
		176	LY30018-084A SPECIAL SCREW
		177	LY30018-084A SPECIAL SCREW,X2
		178	LY30018-084A SPECIAL SCREW,X3
		179	LY30018-084A SPECIAL SCREW,X5
		180	LY30018-092A SPECIAL SCREW
		185	LY30018-065A SPECIAL SCREW
		186	LY30018-006B SPECIAL SCREW
		187	LY30018-092A SPECIAL SCREW
		188	LY30018-065A SPECIAL SCREW
		189	LY30018-037A SPECIAL SCREW
		190	LY30018-037A SPECIAL SCREW
		191	LY30018-084A SPECIAL SCREW,X2
		195	LY20696-001A BRACKET(MECHA)
		196	LY42846-001C BKT(OP) ASSY
		196A	LY42796-001A BUSH,X2
		198	LY32081-001A SHIELD PLATE
		199	WJT0044-001A E-CARD WIRE,MAIN CN113-JUNC CN571
		200	LY43092-001A PLATE

**- OPTICAL BLOCK SECTION -**

		251	J7A-233A OPTICAL BLOCK ASSY
		251A	LY30723-001B ZOOM MOTOR
		251B	LY30724-001B FOCUS MOTOR
		251C	LY30727-002A SCREW,X5
		251D	LY30727-001A SCREW,X2
		251E	LY42936-001A OPTICAL LPF
		251F	LY31639-001A SPACER RUBBER
		251G	QYSPSGU1750Z SCREW,X2
		251H	LY32160-001A IRIS MOTOR
		251J	YS40168J CCD BASE ASSY

5.3 ELECTRONIC VIEWFINDER ASSEMBLY <M4> [GR-DVL516ED]



# ▲ REF No. PART No. PART NAME, DESCRIPTION

\*\*\*\*\*

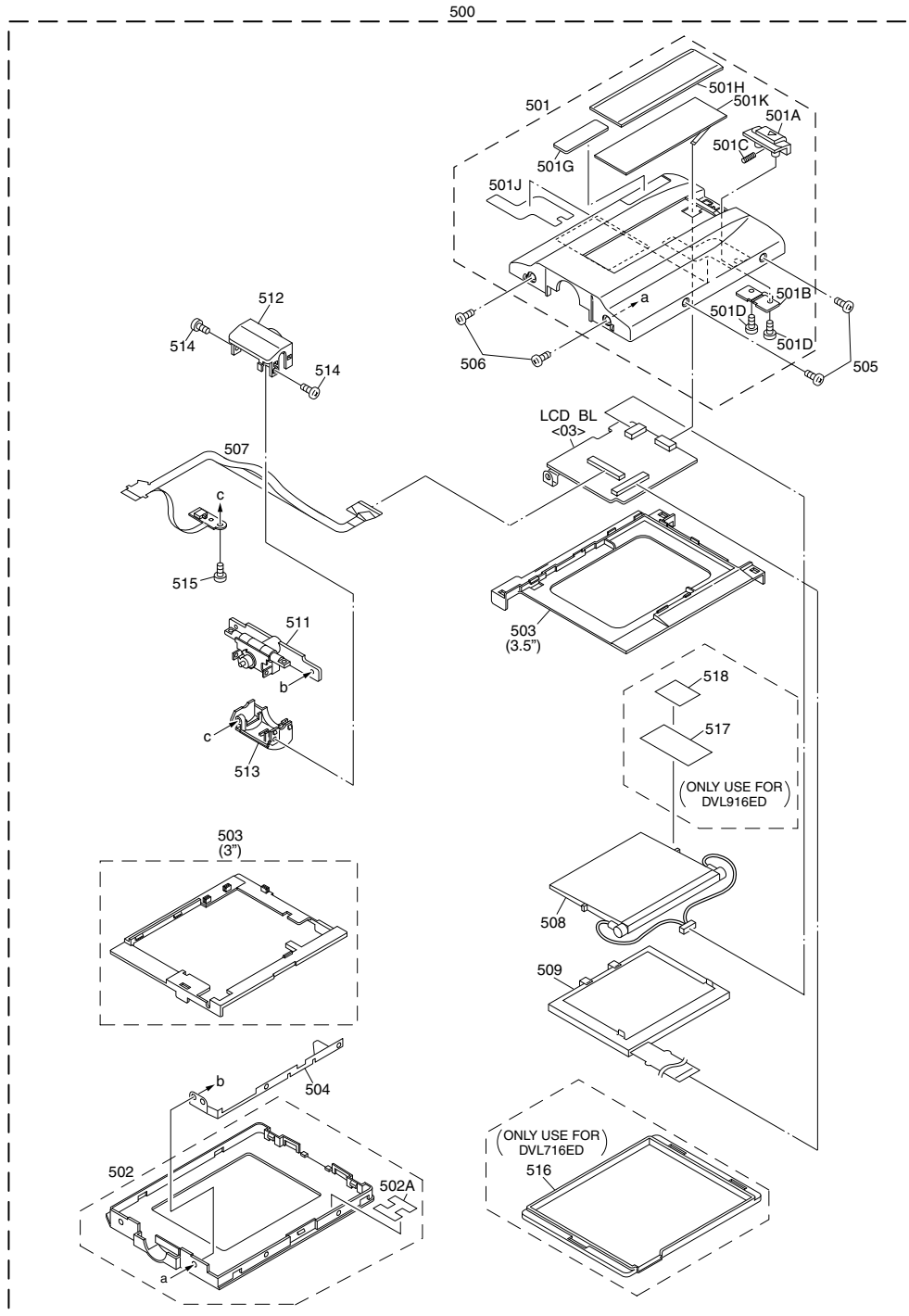
**ELECTRONIC VIEWFINDER ASSEMBLY <M4>**

301	LY32349-001A	EYE CUP
302	LY20766-001A	CASE A(VF)
304	LY32351-001A	CAP(VF)
305	LY20768-001A	VF HINGE ASSY
306	QLD0193-001	LCD MODULE
307	QAL0380-002	FPC
309	LY30018-052A	SPECIAL SCREW,X3
312	LY41701-002A	SHEET(CAUTION)1
314	LY43041-002A	LABEL(VF)
321	LY20767-001A	CASE B(VF)
322	LY30019-037A	SPECIAL SCREW
323	LY43231-001A	LEVER(VF)

# ▲ REF No. PART No. PART NAME, DESCRIPTION

324	LY32472-001A	LENS ASSY
324A	LY43356-001A	LENS(A)
324B	LY43357-001A	LENS(B)
325	LY43404-001A	SPRING(VF)
331	LY43236-001A	SHEET
332	LY43246-001A	SHEET2(POLA)
333	LY32347-001A	HOLDER LCD(VF)
334	LY43245-001A	SHEET(CUSION)
335	LY43234-001A	SHEET1(POLA)
336	LY43232-001A	SHEET(VF)
337	LY43235-001A	SHEET(DIFF)
338	LY43238-001A	HOLDER(LED)
339	LY43239-001A	GUIDE(VF),X2
340	LY30018-060A	SPECIAL SCREW,X4

5.4 MONITOR ASSEMBLY <M5> [GR-DVL716ED, 916ED]



# ▲ REF No. PART No. PART NAME, DESCRIPTION  
 \*\*\*\*\*

**MONITOR ASSEMBLY <M5>**

▲ 500	LYH20246-005A	MONITOR ASSY,C
	LYH20246-006A	MONITOR ASSY,B
▲ 501	LY20721-002C	MONITOR COVER(3.5)ASSY
501A	LY31620-001A	KNOB(LOCK 1)
501B	LY42180-001A	KNOB(LOCK 2)
501C	LY30002-044A	COMPRES. SPRING
501D	LY30018-084A	SPECIAL SCREW,X2
501G	LY42883-001A	MARK
501H	LY32121-002B	WINDOW
501J	LY42386-001A	EARTH MON
501K	LY42193-001A	EL(WINDOW)
502	LY20598-002A	MONITOR CASE ASSY,C
	LY20598-001A	MONITOR CASE ASSY,B

# ▲ REF No. PART No. PART NAME, DESCRIPTION

502A	LY42388-001A	EARTH MON(2)
503	LY20568-001A	HOLDER(3.5PWB),C
	LY20567-001A	HOLDER(3 PWB),B
504	LY31622-001A	BRACKET(EARTH)
505	QYSPSPT1730R	SCREW,X2
506	QYSLSP2040D	SCREW,X2
507	LY31743-001A	MONITOR FPC ASSY
508	QLL0081-001	BACK LIGHT,C
	QLL0094-001	BACK LIGHT,B
509	QLD0096-002	LCD MODULE,C
	QLD0118-001	LCD MODULE,B
511	LY32079-001A	HINGE ASSY
512	LY32088-001A	HINGE COVER(1)
513	LY32089-001A	HINGE COVER(2)
514	LY30018-058A	SPECIAL SCREW,X2
515	LY30018-023A	SPECIAL SCREW
516	LY20566-001B	HOLDER(3 LCD),B
517	LY30029-0A5A	SPACER(A),C
518	LY30029-0Q6A	SPACER(A),C